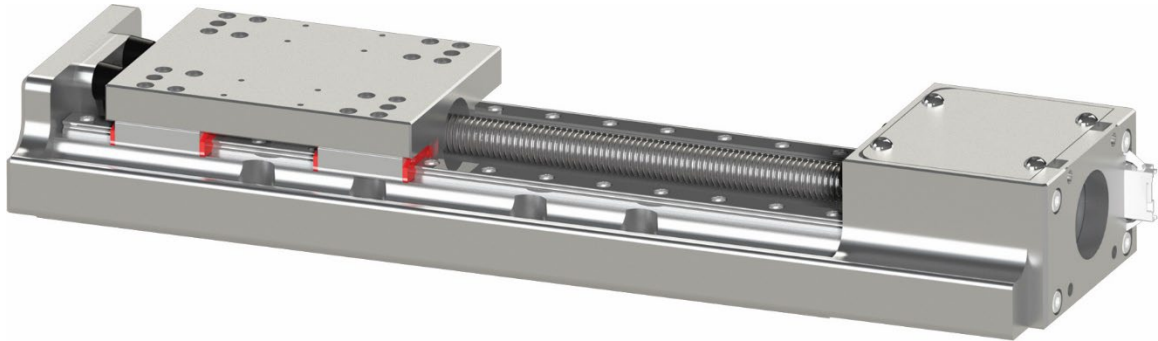


RLA33 Series Stages



The RLA Series is a versatile line of linear screw driven actuators. These stages are designed to be economically sound while maintaining the same craftsmanship and quality that is expected from Reliant Systems. Perfect for applications that require durability and smooth travel without the need for ultra precision.

Specifications					
	RLA33-100	RLA33-200	RLA33-300	RLA33-400	RLA33-500
Travel Length	100mm	200mm	300mm	400mm	500mm
Linear Accuracy	50.0 μ m (per 100mm)				
Bi-Directional Repeatability	30.0 μ m				
Max Speed	3000 rpm	3000 rpm	3000 rpm	2000 rpm	1500 rpm