

HS60 Center Drive Stage



With its rigid body, center drive, and precision lapped lead screw, the HS60 stage offers superior performance for applications requiring fast step and settle performance with an open loop stepper or encoded rotary servo motor. For improved bi-directional repeatability and long-term accuracy, a non-contact, hysteresis free linear encoder is available as an option.

Features include:

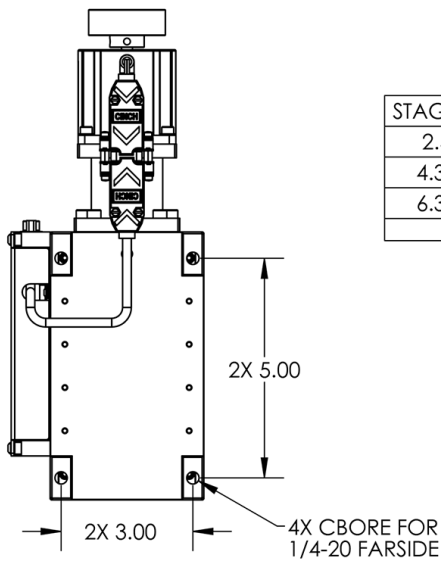
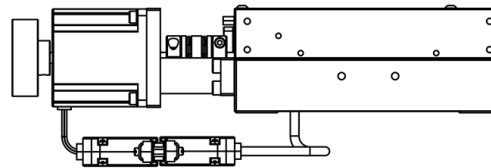
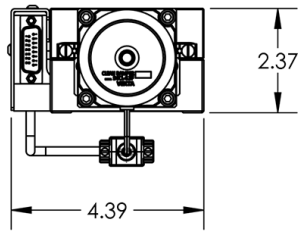
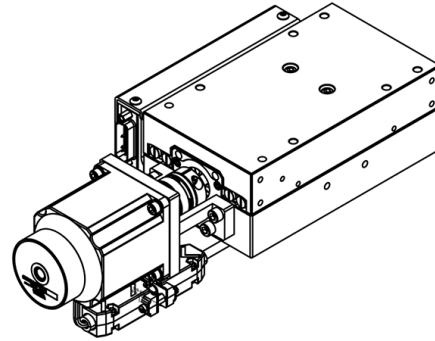
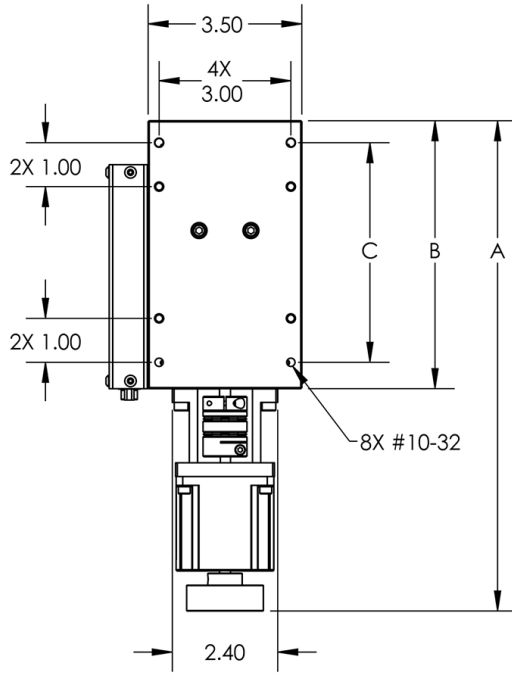
- High precision lapped lead screw drive
- NEMA23 Motor Mount
- 3mm Crossed Roller Bearing Guides
- Supports Open Frame Linear Encoder
- Optical End-of-Travel Limits and Home Switch

Specifications	
Travel	60mm (2.5")
Accuracy	±5.0µm
Bi-Directional Repeatability	±1.0µm
Maximum Yaw Error	±15µrad (±3 arcsec)
Maximum Pitch Error	±20µrad (±4 arcsec)
Straightness/Flatness of Travel	±1.0µm
Open Loop Accuracy	±3.0µm
Closed Loop Accuracy (0.1µm linear encoder)	±1.5µm



RELIANT SYSTEMS INC

Precision Automation Systems



STAGE TRAVEL	DIMN A	DIMN B	DIMN C
2.36 (60)	11.16 (283.5)	6.10 (154.9)	5.00 (127.0)
4.33 (110)	13.13 (333.5)	8.07 (204.9)	6.97 (177.0)
6.30 (160)	15.10 (383.5)	10.04 (254.9)	8.94 (227.0)

DIMENSIONS: IN(MM)

26771 5th Street W, Zimmerman, MN 55398
 Phone: (763) 856-8300 / Fax: (763) 856-8301 / E-mail: sales@reliantsystemsinc.com
 www.reliantsystemsinc.com
 Reliant Systems, Inc. Confidential & Proprietary Information