

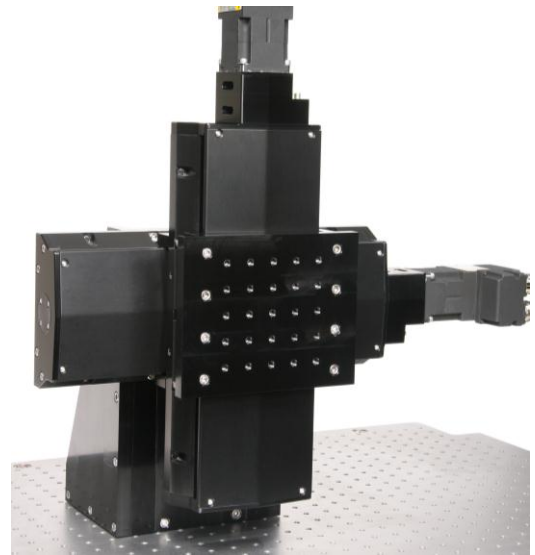
LS Series Stages



LS150 OEM Variant, Bolt-In Replacement for Bayside Stage



LS200 OEM Variant Used in Laser Cutting Tool



LS150 Stack with Custom Bracket and Carriage

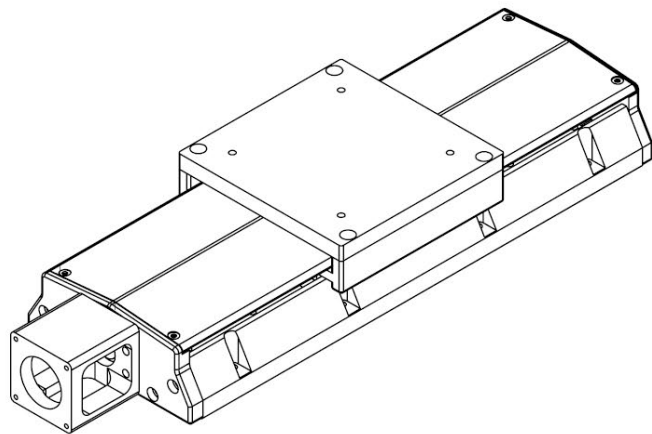
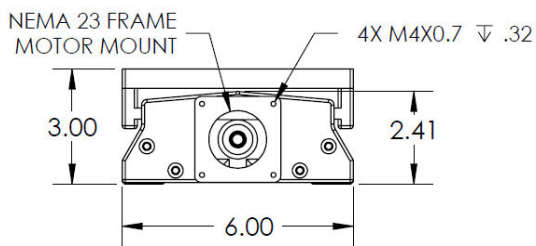
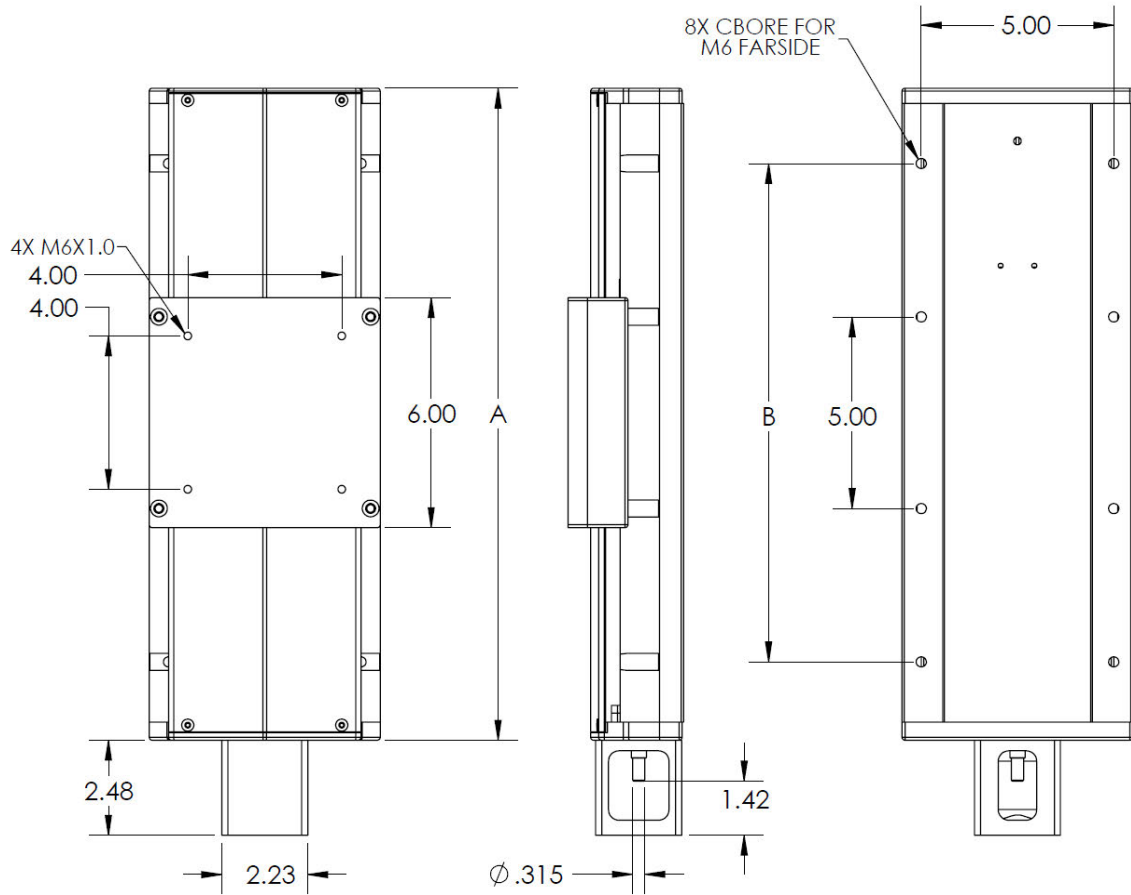
Designed with 15mm precision linear rail guides ball screw drive, the robust LS series stages are well suited for applications requiring accelerations up to 0.5g, high duty cycles, or having moderately heavy loads. By using caged, recirculating ball bearings LS stages provide smooth travel without any issues due to bearing migration. The precision rails, along with careful alignment, give the LS stages excellent performance with regards to angular deviations and straightness of travel errors. An overhanging stage cover and narrow vertical slots keep light splash and debris out of the stage and minimize pinch points. A NEMA23 motor mount accepts stepper or servo motors. Non-contact optical end-of-travel switches are standard and can be supplied for use with 5 or 24VDC. As with all our stages, custom configurations with different drive screws, accuracies, and hole patterns are available. Please contact us for details.

| Specifications | | | | | | |
|---|-----------|-----------|-----------|-----------|-----------|------------|
| Stage Travel (mm) | 50 | 100 | 150 | 200 | 300 | 400 |
| Load Capacity (kg) | 50 | | | | | |
| Weight (No Motor) (kg) | 5.0 | 5.5 | 6.0 | 6.5 | 7.5 | 8.5 |
| Maximum Yaw (μ rad) | ± 20 | ± 20 | ± 20 | ± 20 | ± 20 | ± 25 |
| Maximum Pitch (μ rad) | ± 20 | ± 30 | ± 40 | ± 50 | ± 55 | ± 60 |
| Straightness of Travel (μ m) | ± 1.5 | ± 2.0 | ± 2.5 | ± 3.0 | ± 3.5 | ± 4.0 |
| Flatness of Travel (μ m) | ± 1.5 | ± 2.0 | ± 2.5 | ± 3.0 | ± 3.5 | ± 4.0 |
| Standard Ball Screw Lead (mm) | 5.0 | | | | | |
| Bidirectional Repeatability ¹ (μ m) | ± 1.0 | | | | | |
| Linear Accuracy ² (μ m) | ± 6.0 | ± 6.0 | ± 7.0 | ± 8.0 | ± 9.0 | ± 10.0 |

¹With 2,500 line rotary encoder or better

²Using linear error correction

LS Series Stages



| STAGE TRAVEL | DIMN A | DIMN B |
|--------------|-------------|---------------|
| 2" (50) | 9.6" (244) | - |
| 4" (100) | 11.6" (294) | 7 (177.8) |
| 6" (150) | 13.6" (376) | 9 (228.6) |
| 8" (200) | 15.6" (344) | 11.00 (279.4) |
| 12" (300) | 19.6" (498) | 15 (381) |
| 16" (400) | 23.6" (600) | 19 (482.6) |

DIMENSIONS: IN (MM)