

## LSN100, LSN150



Similar in construction to our LS family of stages, the LSN100 (100mm travel) and LSN150 (150mm travel) were developed to support a couple of our customers who were in looking for drop-in replacement stages for previously designed tools. Features include a narrow profile (115mm wide), covered vertical side slots to prevent debris from entering the stage body, a two piece top plate for easy access to the drive screw for maintenance, and a 5mm ball screw drive capable of handling accelerations exceeding 1g (load dependant). Both horizontal and vertical straightness and flatness of travel are better than  $\pm 2.0\mu\text{m}$  per travel. Optical limit and home switches are included (5V or 24V). Both metric and NEMA motor flanges can be supported.

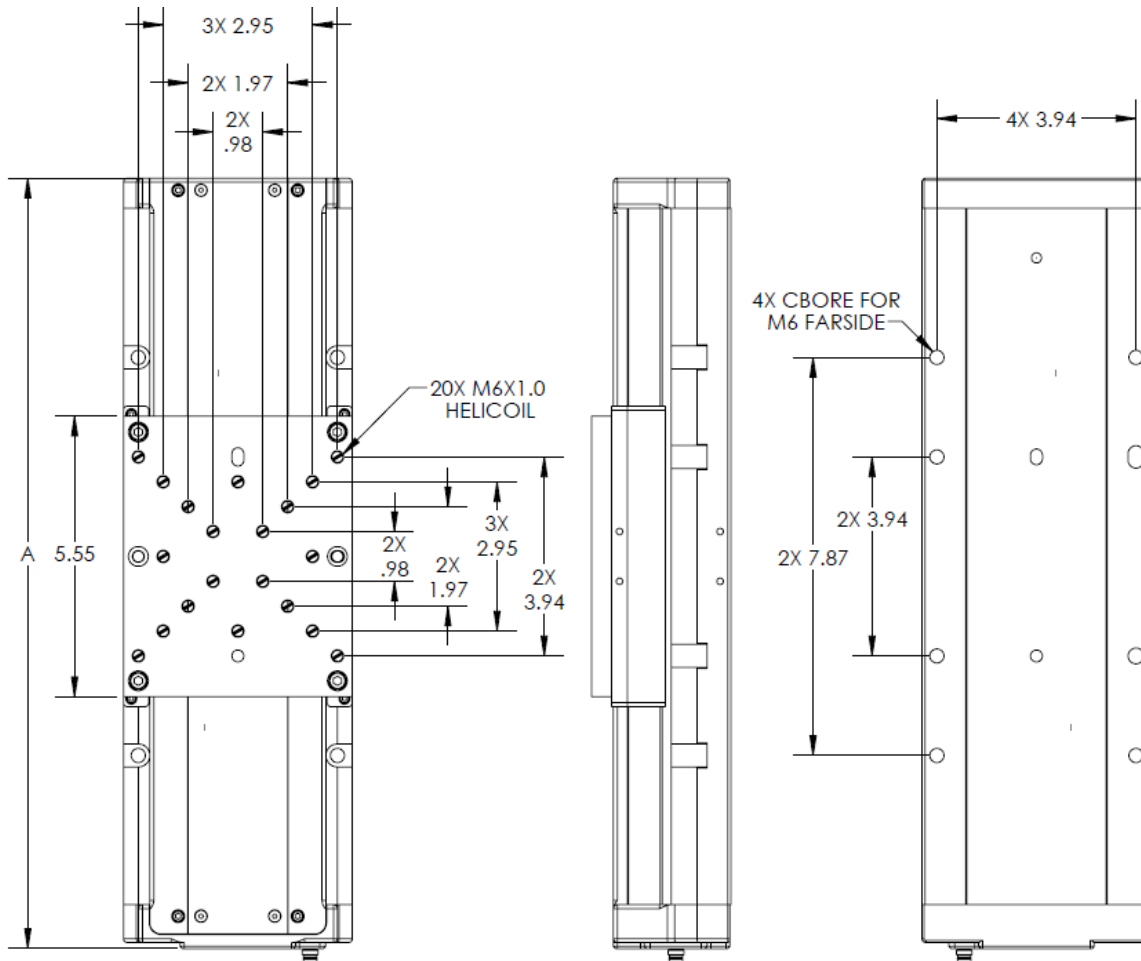
Specifications		
Travel (mm)	100	150
Straightness of Travel ( $\mu\text{m}$ )	$\pm 2.0$	$\pm 2.0$
Flatness of Travel ( $\mu\text{m}$ )	$\pm 2.0$	$\pm 2.0$
Load Capacity (Kg)	40	40
Stage Weight (Kg)	4.5	5.0
Linear Accuracy ( $\mu\text{m}$ )	$\pm 7$	$\pm 8$
Bidirectional Repeatability ( $\mu\text{m}$ )	$\pm 1.0$	$\pm 1.0$
Ball Screw Lead (mm)	5.0	5.0



# RELIANT SYSTEMS INC

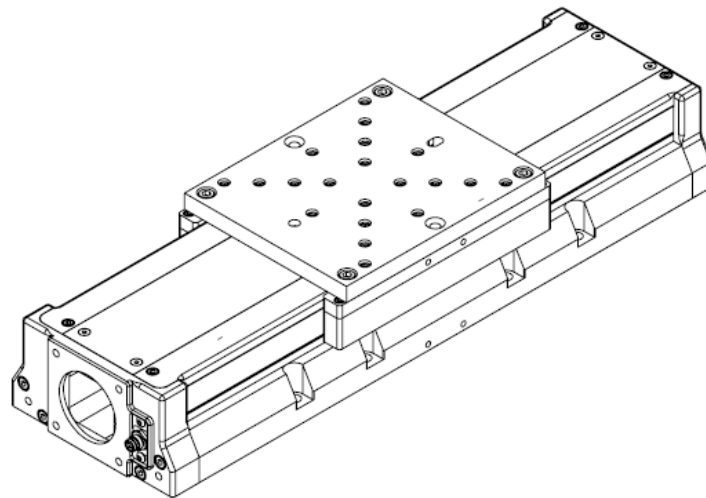
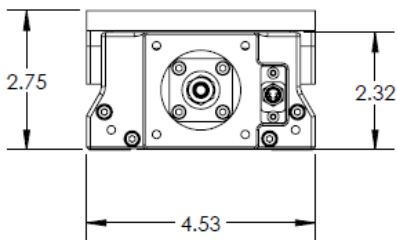
Precision Automation Systems

## LSN Series



STAGE TRAVEL	DIMN A
3.94 (100MM)	13.26 (337)
5.91 (150MM)	15.24 (387)

DIMENSIONS: IN(MM)



12641 Fremont Avenue / P.O. Box 349, Zimmerman, MN 55398  
 Phone: (763) 856-8300 / Fax: (763) 856-8301 / E-mail: [sales@reliantsystemsinc.com](mailto:sales@reliantsystemsinc.com)  
*Reliant Systems Confidential & Proprietary Information*