

HS60 Center Drive Stage



With its rigid body, center drive, and precision lapped lead screw the HS60 stage offers superior performance for applications requiring fast step and settle performance with an open loop stepper or encoded rotary servo motor. For improved bi-directional repeatability and long term accuracy a non-contact, hysteresis free linear encoder is available as an option.

Features include:

- High precision lapped lead screw drive
- NEMA23 Motor Mount
- 3mm Crossed Roller Bearing Guides
- Supports Open Frame Linear Encoder
- Optical End-of -Travel Limits and Home Switch

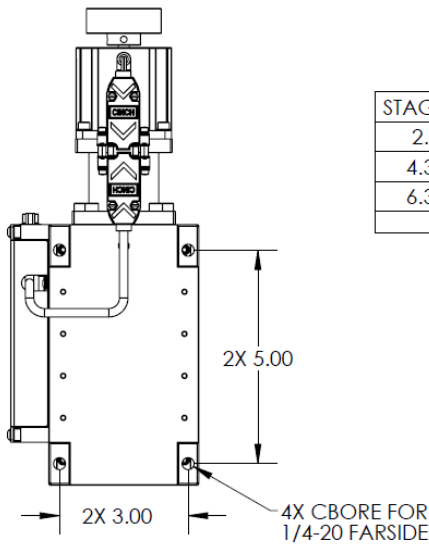
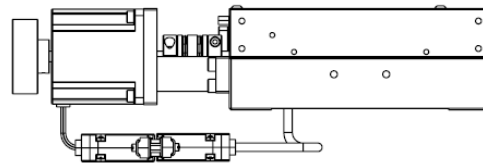
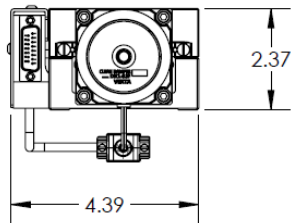
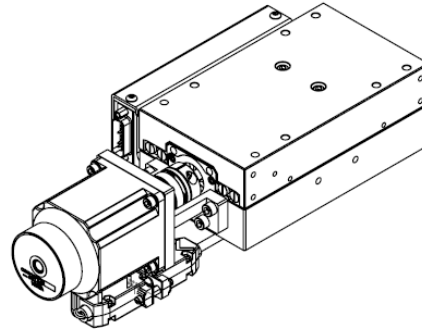
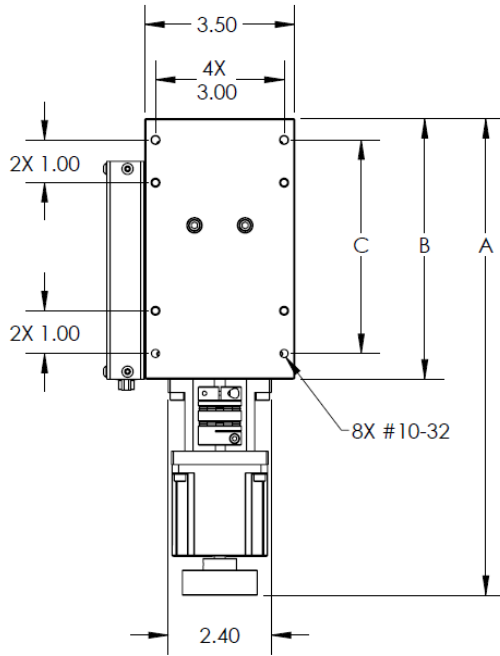
Specifications	
Travel	60mm (2.5")
Maximum Yaw Error	$\pm 15\mu\text{rad}$ (± 3 arc-sec)
Maximum Pitch Error	$\pm 20\mu\text{rad}$ (± 4 arc-sec)
Straightness / Flatness of Travel	$\pm 1.0\mu\text{m}$
Open Loop Accuracy	$\pm 3.0\mu\text{m}$
Closed Loop Accuracy (0.1 μm linear encoder)	$\pm 1.5\mu\text{m}$



RELIANT SYSTEMS INC

Precision Automation Systems

HS Series Stages



STAGE TRAVEL	DIMN A	DIMN B	DIMN C
2.36 (60)	11.16 (283.5)	6.10 (154.9)	5.00 (127.0)
4.33 (110)	13.13 (333.5)	8.07 (204.9)	6.97 (177.0)
6.30 (160)	15.10 (383.5)	10.04 (254.9)	8.94 (227.0)
DIMENSIONS: IN(MM)			

12641 Fremont Avenue / P.O. Box 349, Zimmerman, MN 55398
 Phone: (763) 856-8300 / Fax: (763) 856-8301 / E-mail: sales@reliantsystemsinc.com
Reliant Systems Confidential & Proprietary Information